

TopPage>>Search Result>>53204U

Thrust Ball Bearings

Bearing No. : **NACHI 53204U**

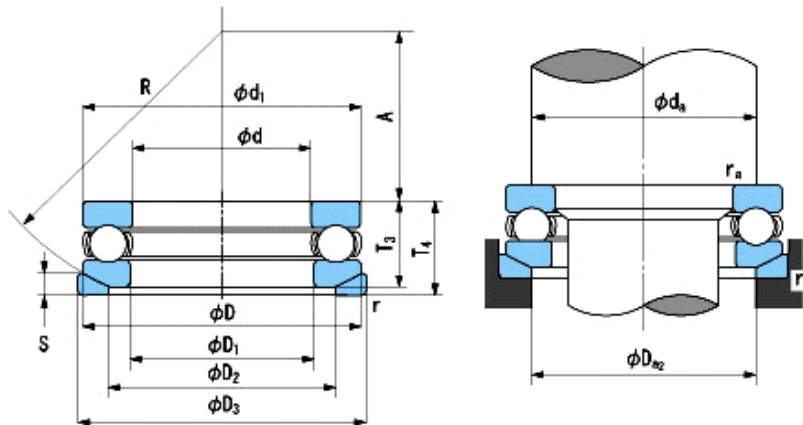
■ Bearing Type

■ Clearance

■ Tolerance Class

Dimensions

- d = 20 0
 -0.010
- D = 40 0
 -0.016
- T3 = 14.7
- T4 = 17
- r = 0.6~1.5
- (Radial Direction and Axial Direction)
- d1(max) = 40
- D1(min) = 22
- D2 = 30
- D3 = 42
- S = 5
- R = 36
- A = 18



- Dimensions
- da(min) = 32
- Da2(max) = 30
- ra(max) = 0.6
- Mass = 0.1 kg

Basic Dynamic Load Rating Ca :	22,200 N	INNER RING	OUTER RING
Basic Static Load Rating Coa :	37,500 N	O.D.Surface Runout with Side :	-
Limiting Speed ;		Axial Runout with Bore :	-
Grease Lubrication :	4,200 min ⁻¹	Axial Runout with Raceway :	-
Oil Lubrication :	6,300 min ⁻¹	Width Variation :	-
		Radial Runout :	-